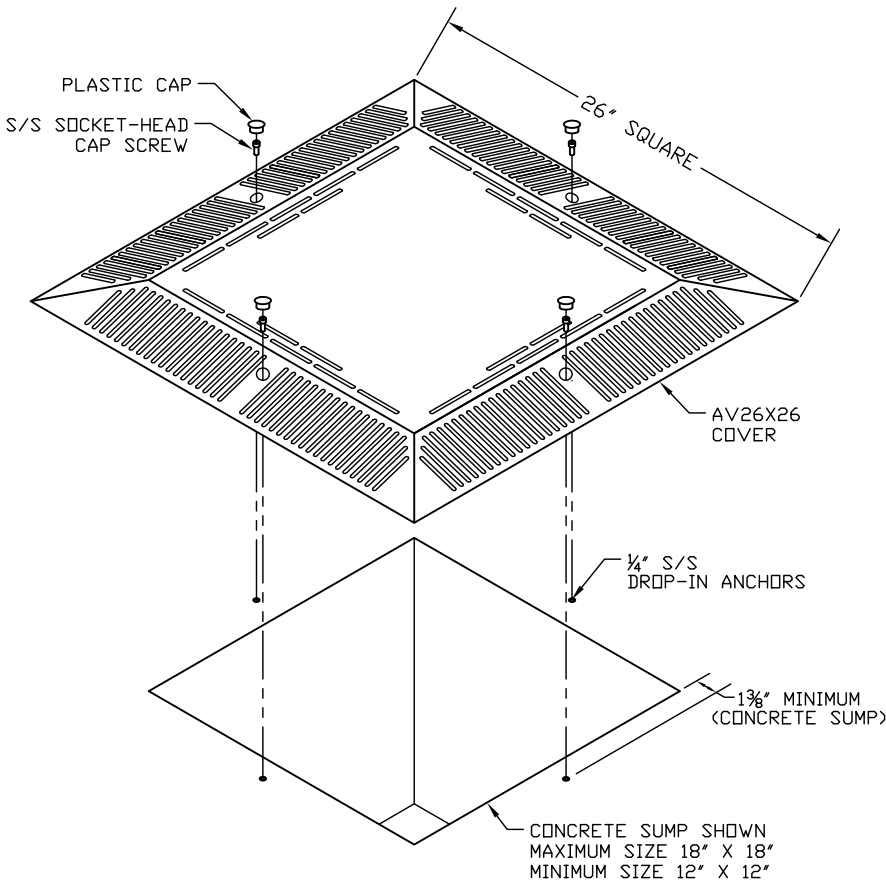
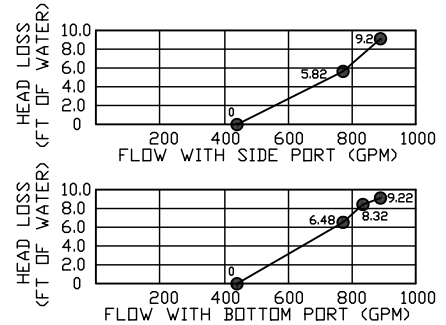


# Product Specification for AV26X26 General Purpose Suction Outlet



## AV26X26 Cover Information

- Made by Eureka Manufacturing
- Part Number - AV26X26
- Certified Flowrate - Floor 880 GPM @ 2.19 F.P.S
- Certified Flowrate - Wall 840 GPM @ 2.09 F.P.S.
- Service Life - 10 years on Hardware  
20 years on cover itself
- Material is 12 ga. 304L stainless steel.
- Approved for Floor and Wall configuration.
- Cover and Sump must be electrically bonded.
- See Electrical Bonding Instructions for procedure.
- SOFA is approved for all pool surface types.
- Acceptable Pipe Sizes - 4", 6", 8", 10", and 12"
- Suction Piping must continue at the original size for a minimum of 6".
- A General Certificate of Conformity is available at [eurekamanufacturing.com](http://eurekamanufacturing.com)



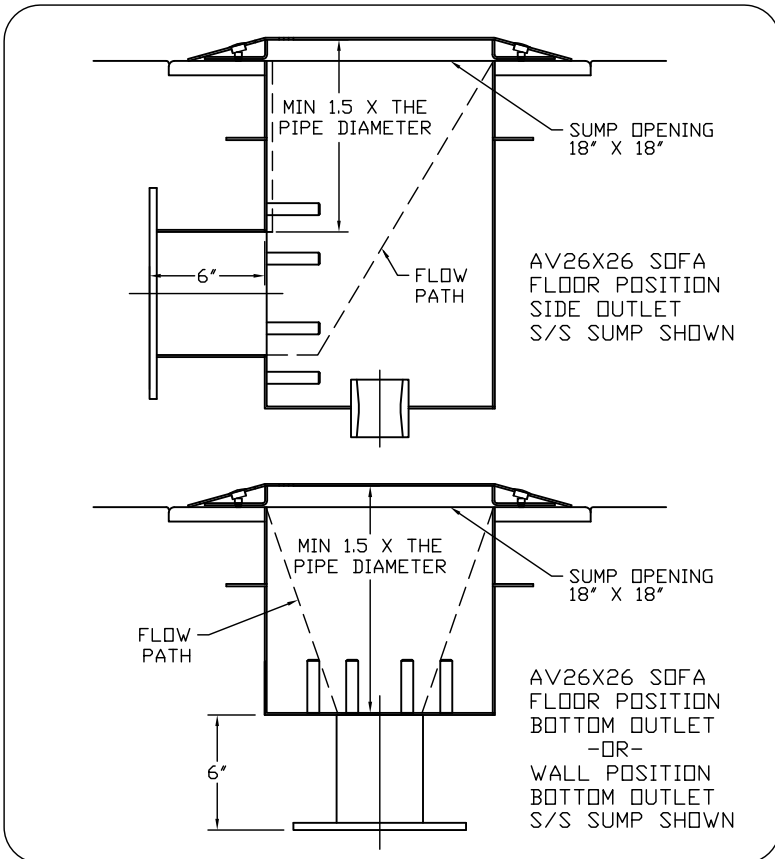
- The maximum flow rating for pool with multiple blockable SOFAs piped together shall be figured combining the flow rating of all SOFAs, minus the flow rating of one.

## New Construction with a Eureka Sump

- SOFA is considered **Blockable** and must be used on systems with multiple SOFAs.
- A single suction point on new construction is not allowed.
- Sofas used in multiple outlet systems must have a minimum separation of three feet, measured center to center or located on different planes, i.e. one SOFA in floor and one in a vertical wall.

## Existing, Field Fab, or Concrete Sump

- SOFA is considered **Blockable** and can be used on systems with multiple suction outlets or a single outlet system with an additional device or system to prevent suction entrapment.
- Cover can be used on an existing sump if the sump meets requirements to the left, meets minimum and maximum sump opening dimensions, and can be securely attached per manufacturer instructions.
- The maximum flow rating for pools with a single blockable SOFA is the flow rating of the SOFA.



Sketch of SOFA Side View