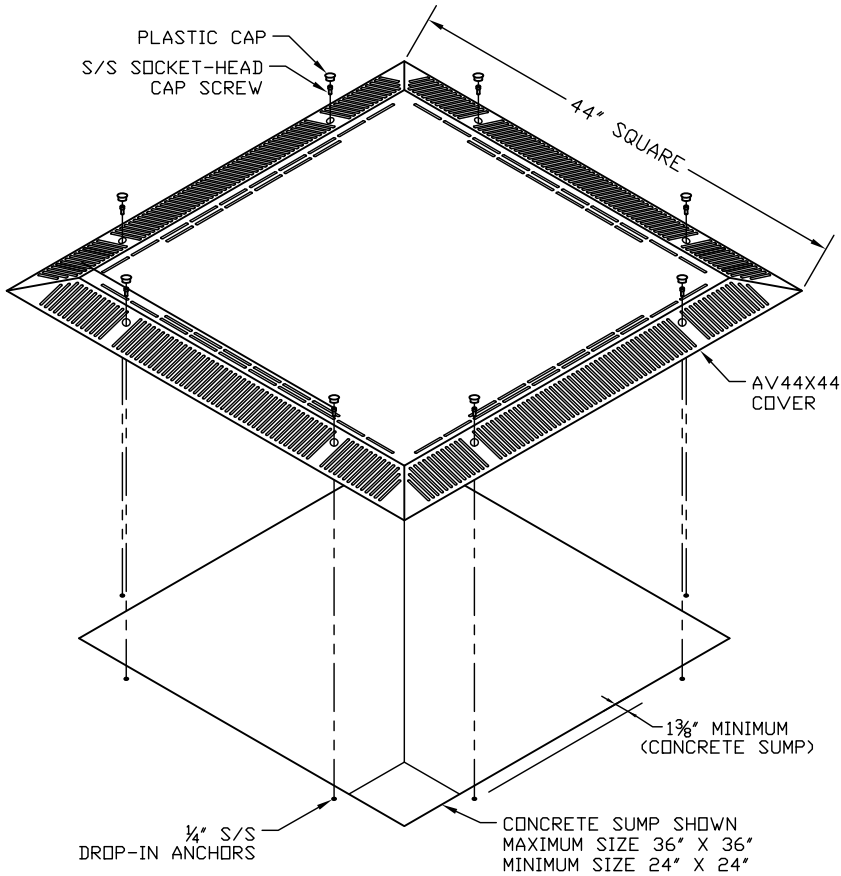
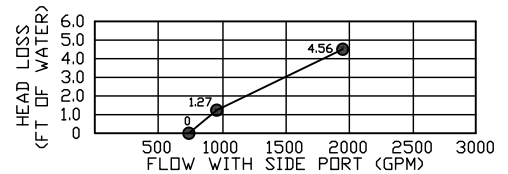
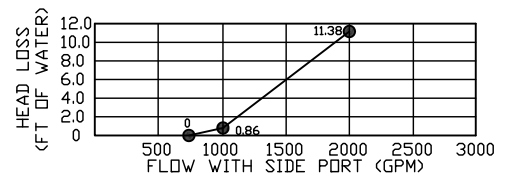


Product Specification for AV44X44 General Purpose Suction Outlet



AV44X44 Cover Information

- Made by Eureka Manufacturing
- Part Number - AV44X44
- Certified Flowrate - Floor 2000 GPM @ 2.57 F.P.S.
- Certified Flowrate - Wall 920 GPM @ 1.18 F.P.S.
- Service Life - 10 years on Hardware
20 years on cover itself
- Material is 12 ga. 304L stainless steel.
- Approved for Floor and Wall configuration.
- Cover and Sump must be electrically bonded.
- See Electrical Bonding Instructions for procedure.
- SOFA is approved for all pool surface types.
- Acceptable Pipe Sizes - 8", 10", 12, and 14"
- Suction Piping must continue at the original size for a minimum of 6".
- A General Certificate of Conformity is available at eurekamanufacturing.com



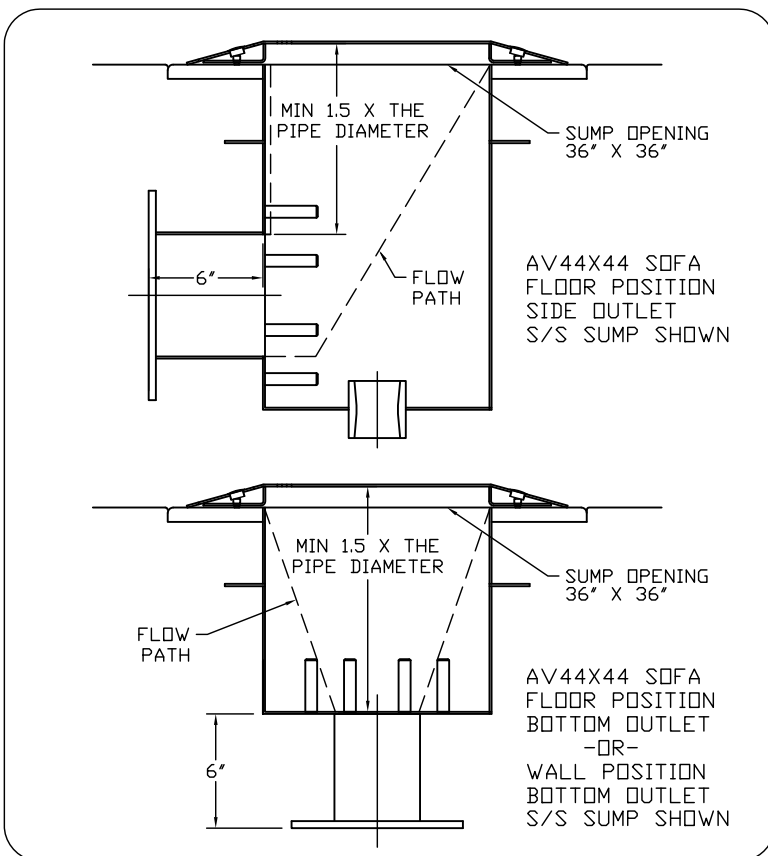
- The maximum flow rating for pool with multiple unblockable SOFAs piped together shall be figured combining the flow rating of all SOFAs.
- The maximum flow rating for pools with a single unblockable SOFA is the flow rating of the SOFA.

New Construction with a Eureka Sump

- SOFA is considered **Unblockable** and can be used on systems with multiple SOFAs, or used as a single suction point.
- When used with a new Eureka built stainless steel sump the sump must be electrically bonded.

Existing, Field Fab, or Concrete Sump

- SOFA is considered **Unblockable** and can be used on systems with multiple suction outlets or a single outlet system.
- Cover can be used on an existing sump if the sump meets requirements to the left, meets minimum and maximum sump opening dimensions, and can be securely attached per manufacturer instructions.
- Cover must be electrically bonded.



Sketch of SOFA Side View