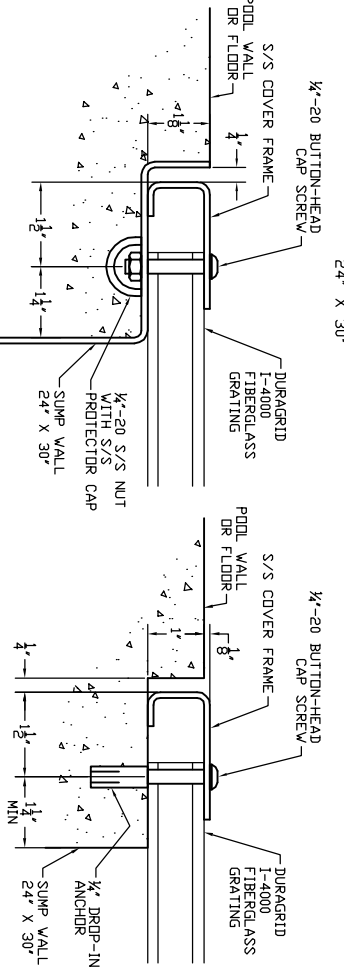
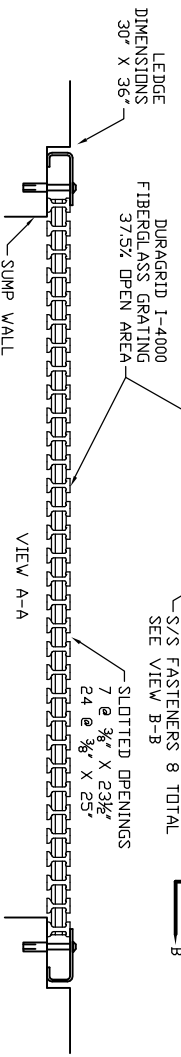
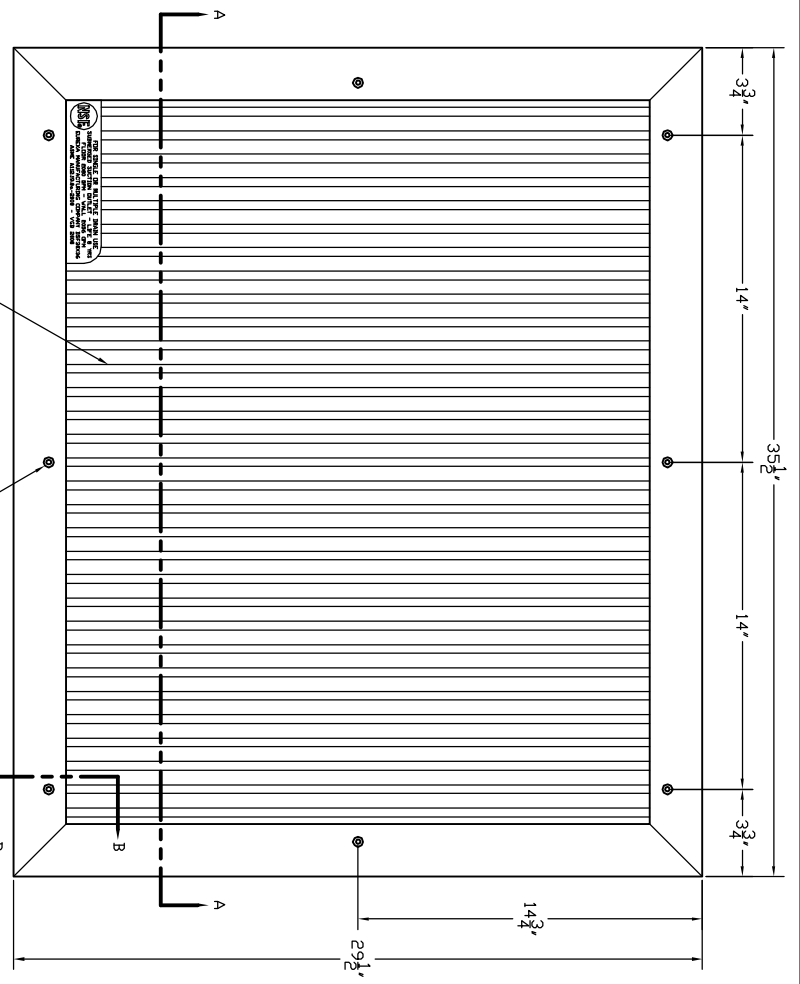


PD BOX 1473 BISMARCK ND 58502
 THE INFORMATION CONTAINED HEREIN IS CONFIDENTIAL AND
 THE PROPERTY OF EUREKA MANUFACTURING CO. NO
 DUPLICATIONS WILL BE PERMITTED WITHOUT THE PERMISSION
 OF EUREKA MANUFACTURING CO.



Scale: NONE
Proj.: 30" X 36"
 FLUSH MOUNT
 ANTI-ENTRAPMENT
 GRATE ASSEMBLY

Date: 7-13-09
Drawn: AKP
Checked:
 DSF30X36



VIEW B-B S/S SUMP INSTALLATION
 THE MANUFACTURER ASSUMES NO LIABILITY FOR INCORRECT INSTALLATION.
 AN INCORRECT SUMP, MISUSE OF THE PRODUCT, OR INCORRECT WATER CHEMISTRY

VIEW B-B CONCRETE SUMP INSTALLATION

DSF30X36 FLUSH ANTI-ENTRAPMENT COVER
 GRATE IS DESIGNED FOR FLUSH MOUNTING ON A
 1"X3" LEDGE WITH OUTSIDE DIMENSIONS 30"X36"
 AND INSIDE SUMP DIMENSIONS OF 24"X30"
 MATERIAL OF FRAME TO BE 12 GA. 304L S/S
 GRATING TO BE FIBERGLASS I-4000 1" WHITE
 HARDWARE TO BE 316 S/S
 RECOMMENDED FLOWRATE AT 15' F.P.S. = 1294 GPM
 FLOOR AND WALL APPLICATIONS
 COVER HAS 277 SQ. IN. OF OPEN AREA AND IS
 CERTIFIED FOR 2080 GPM FOR FLOOR APPLICATIONS
 AND 2056 GPM FOR WALL APPLICATIONS
 GROUNDING TAB INCLUDED

FOR SINGLE OR MULTIPLE DRAIN USE
 SUBMERGED SUCTION OUTLET - LIFE 8 YRS
 FLOOR 2080 GPM - WALL 2056 GPM
 EUREKA MANUFACTURING COMPANY DSF30X36
 ASME A112.19.8a-2008 - VGB 2008

ENLARGED VIEW OF ETCHING
 ETCHING LETTER HEIGHT IS .15"